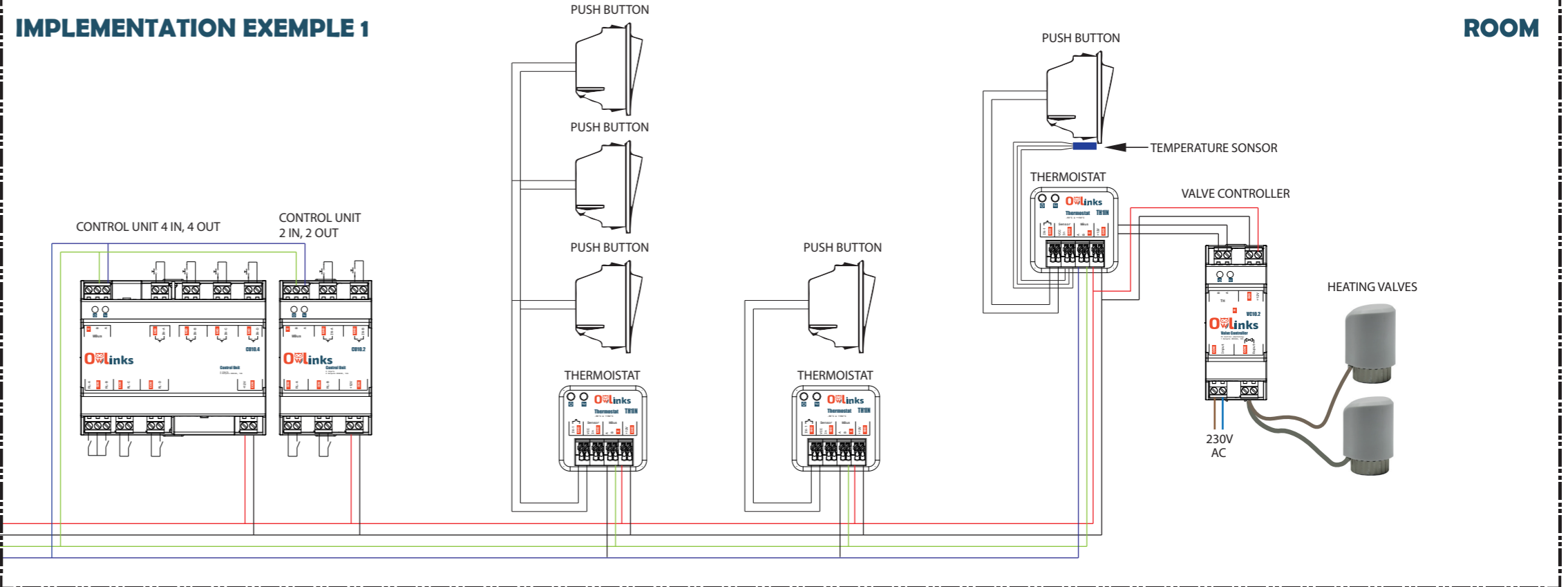
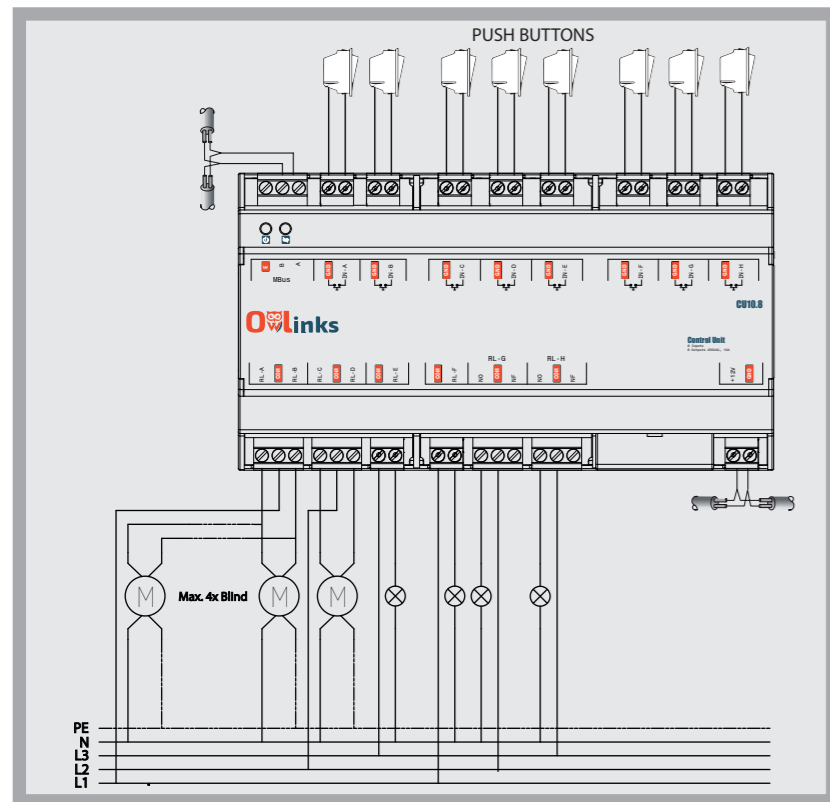


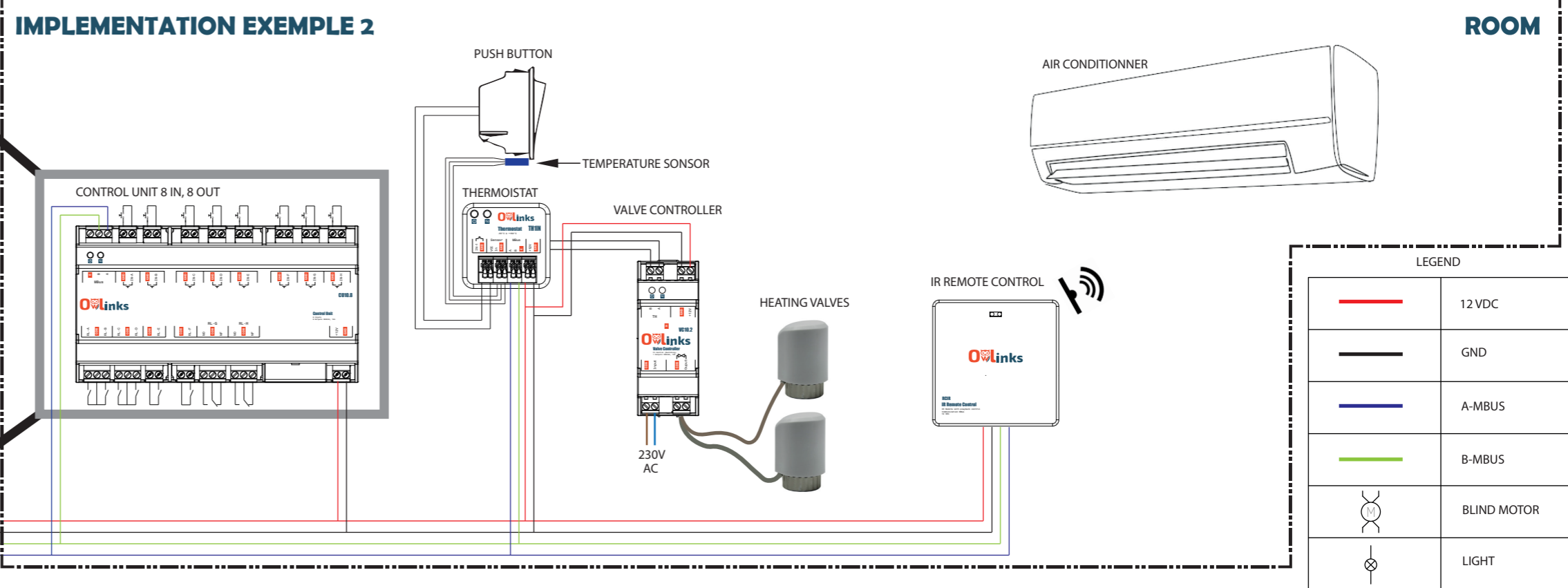
IMPLEMENTATION EXEMPLE 1



CIRCUIT DIAGRAM



IMPLEMENTATION EXEMPLE 2



LEGEND

	12 VDC
	GND
	A-MBUS
	B-MBUS
	BLIND MOTOR
	LIGHT